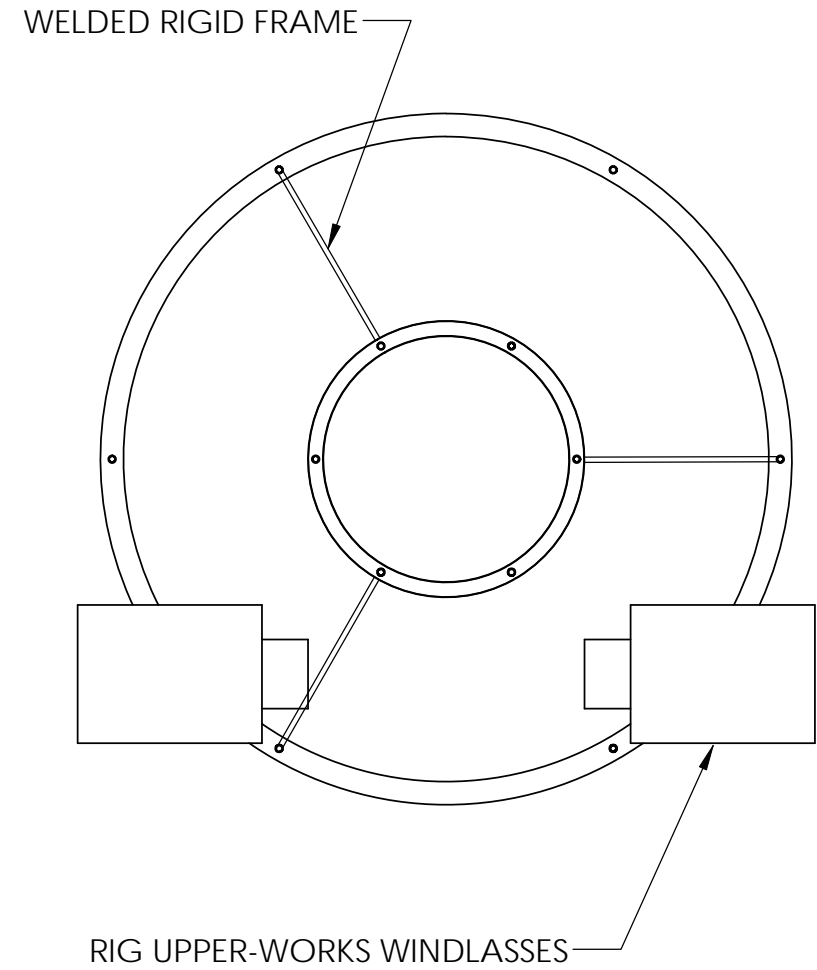
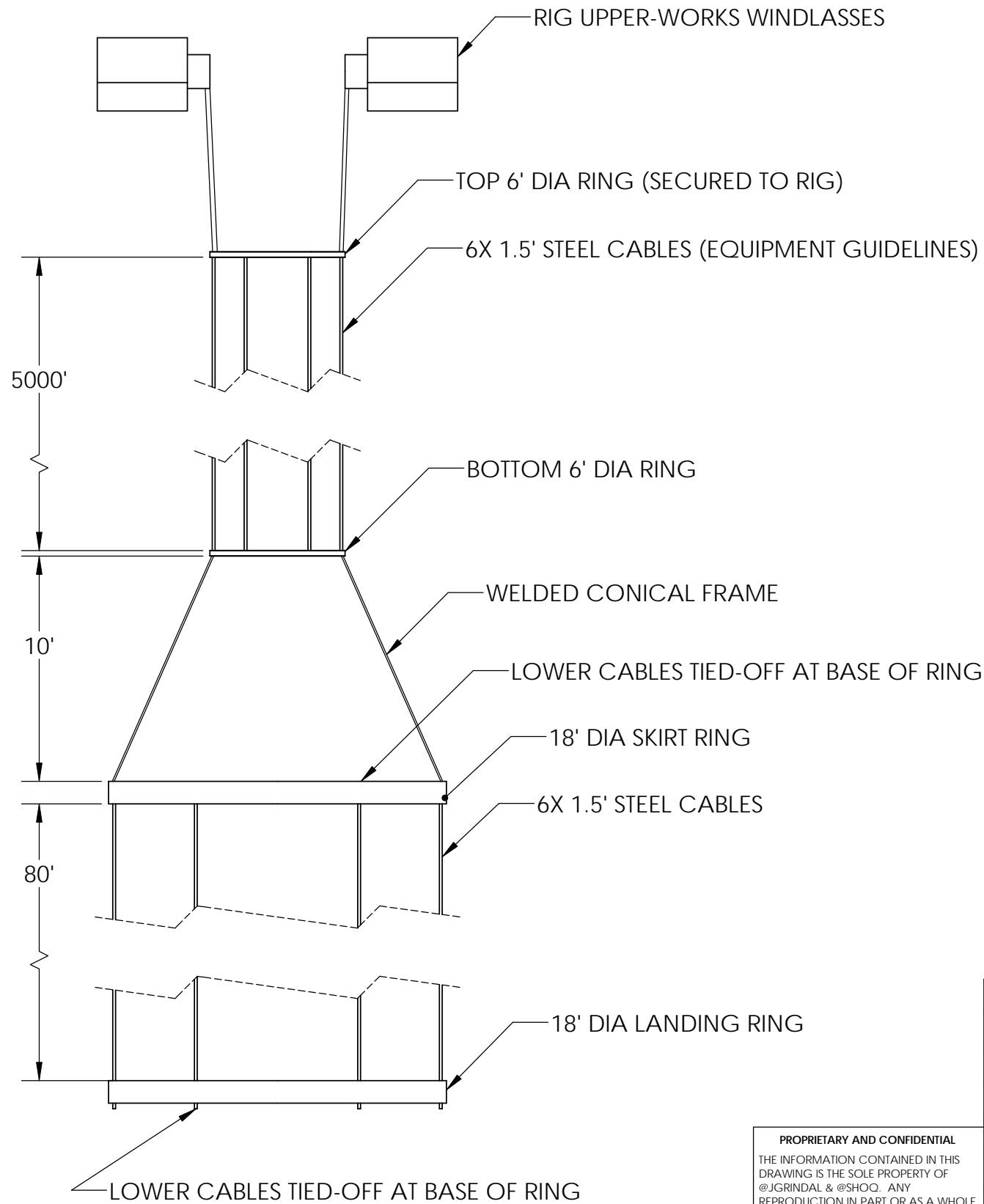


NOTES:

1. 6X STEEL CABLES WILL BE ANCHORED TO SEAFLOOR AND TENSIONED WITH RIG WINDLASSES
2. FLEXIBLE MATERIAL WILL BE EXTENDED OVER METAL FRAME



**PROPRIETARY AND CONFIDENTIAL**  
 THE INFORMATION CONTAINED IN THIS DRAWING IS THE SOLE PROPERTY OF @JGRINDAL & @SHOO. ANY REPRODUCTION IN PART OR AS A WHOLE WITHOUT THE WRITTEN PERMISSION OF AFFOREMENTIONED PARTIES IS STRICTLY FORBIDDEN.

		UNLESS OTHERWISE SPECIFIED:		NAME	DATE		
		DIMENSIONS ARE IN INCHES		DRAWN	JDG	6/7/10	TITLE: <b>OD STEEL WORKS</b>
		TOLERANCES:		CHECKED			
		FRACTIONAL ±		ENG APPR.			
		ANGULAR: MACH ± BEND ±		MFG APPR.			
		TWO PLACE DECIMAL ±		Q.A.			SIZE <b>B</b>
		THREE PLACE DECIMAL ±		COMMENTS:			
		INTERPRET GEOMETRIC TOLERANCING PER:					REV <b>C</b>
		MATERIAL					SCALE: 1:50
		STEEL					WEIGHT:
		FINISH					SHEET 1 OF 1
		EPOXY COATING					
NEXT ASSY	USED ON	DO NOT SCALE DRAWING					